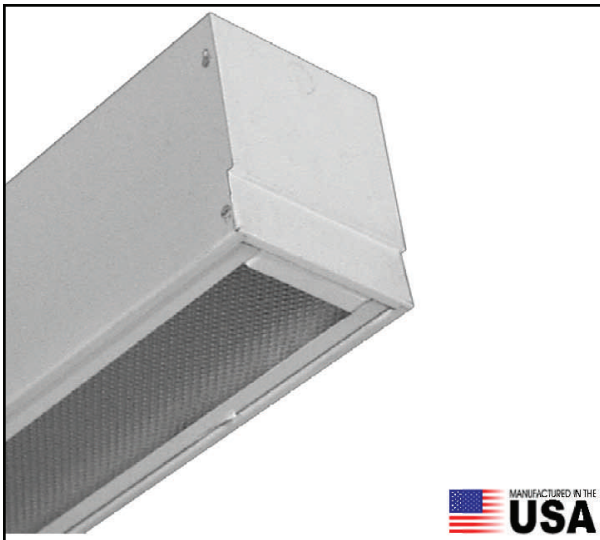


LED 6" TROFFER



FIXTURE TYPE _____
JOB NAME _____
REP **HUDNUT LED LIGHTING**
PART NUMBER _____

SPECIFICATIONS

Full fixture replacement with linear LED lamps*	High 80+ CRI white LEDs*
120—277 volt AC operation	>50,000 hour lamp life to 70% original output*
No external ballasts, drivers, or power supplies = lower maintenance	Lamp is UL listed 120-277VAC*
Standard G13 bi-pin sockets for easy lamp maintenance	Fixture is ETL listed
Lamp powered from one end only to meet UL safety requirements*	and conforms to UL 1958-SUB 8750
Dedicated LED fixture ensures proper operation and maximum life	Fixture is made in the USA
Instant on to full light output even in cold environments*	
Operates from minus 40 degrees F. through plus 122 degrees F.*	5 year limited warranty on lamps and fixture*
No mercury, no lead, no glass	Fixture and lamps are recyclable
	See reverse for additional fixture information.

ORDERING INFORMATION

<u>SERIES</u>	<u>LAMP ROWS</u>	<u>LENGTH</u>	<u>LAMP TYPE</u>	<u>DOOR</u>	<u>FINISH</u>	<u>OPTICS</u>	<u>ELEC OPT</u>	<u>TYPE</u>	<u>VOLTS</u>	<u>LAMP COLOR*</u>	<u>LAMP LENS*</u>				
GHL306	1	2'	LR = UL listed	(see reverse for info)	X = none	LED81	UNV	3500k	CL = clear						
	2	3'								FS	W	FWA	TS2 = maint. switch	4100k	FR = frost
		4'								FA	B	PA		5500k	
		6'								RA	N	DP			
		8'								QFA					
			QRA												

NOTES

*****Other options are available. Contact Hudnut LED Lighting Solutions for additional information**
Product may differ slightly from photo. All values are nominal.

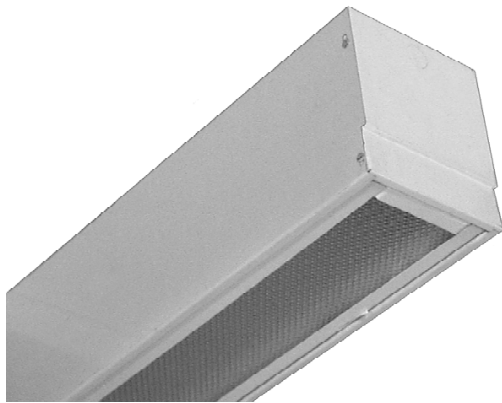
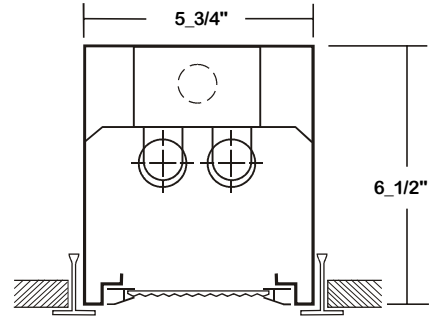
***See TL-SH series lamp cut sheet for additional information. Lamps are shipped separately for field installation.**

HUDNUT LED LIGHTING

11916 NE SUMNER STREET PORTLAND, OREGON 97220 503-233-8088 WWW.HUDNUT.COM INFO@HUDNUT.COM

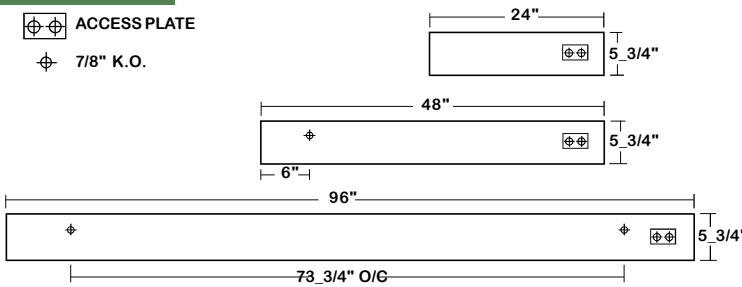
GHL306 SERIES - LED T8

CROSS SECTION



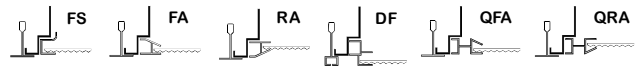
BACK PLATE

- ACCESS PLATE
- 7/8" K.O.



DOOR FRAME INFORMATION

CROSS SECTION



STYLES

- FS - Flat Steel
- FA - Flat Extruded Aluminum
- RA - 5/8" Regressed Extruded Aluminum
- QFA - Flat Extruded Aluminum, W/ Black Reveal
- QRA - 1/2" Regressed Extruded Aluminum, W/ Black Reveal
- DF - Aluminum Frame For Donn Fine Line® T-Bar

FINISHES

- W - White Enamel
- B - Black Enamel
- N - Natural Anodized Aluminum
- EXAMPLE**
- FSW - Flat Steel White Enamel Finish

SAFETY SWITCH



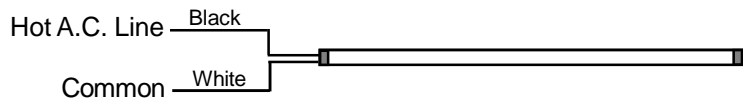
HG&- LED Luminaire On/Off Safety Switch

- Easily accessible on exterior of wire way.
- Allows individual fixture to be switched ON/OFF during re-lamping or Maintenance.
- Prevents damage to lamp and electrical shock during lamping and re-lamping.
- Allows safe entry to wire way channel where power connector can be disconnected for maintenance to fixture.

LAMP TYPE

See HUDNUT TL-SH series LED T8 lamp specifications for additional lamp information.

LR = LED T8 light tube, self-driven.
Black lead and white lead connected to the same end.



OPTIONS AND ACCESSORIES

ELECTRICAL OPTIONS

- LED Luminaire ON/OFF Safety Switch
- Pull Switch
- 6' 3Wire Cord + Plug (U-Ground)

SUFFIX
TS2
PS1
CP3

OPTICAL OPTIONS

- Injection Molded Lenses
- Parabolic Plastic Louvers
- Polycarbonate Lenses
- High Impact Acrylic
- Flat White Matte Diffusers
- Clear Prismatic Acrylic
- Dropped Opal Pans

SUFFIX
*
*
*
*
FWA
PA
DP

*See Appropriate Reference Page

SPECIFICATIONS

TYPE

- DOOR FRAME
- OPTICS
- CONSTRUCTION
- FINISH
- WIRING
- LABELS

Aversatile recessed luminaire for LED T8 light tube (s)** with internal driver. For inverted Tee-Bar installations. Available in various lengths.
20 gauge cold rolled steel or extruded aluminum in various finishes. T-hinge, positive spring loaded latch.
Clear prismatic acrylic standard.
22 ga. cold rolled steel housing. (20 ga. housing available as specified)
Baked white polyester finish, minimum reflectance 86%. (Powder coated finish available.)
Operates T8 LED light tube(s)**.
ETL Listed. Conforms to UL standard 1598 - SUB 8750.



HUDNUT LED LIGHTING

11916 NE SUMNER STREET PORTLAND, OREGON 97220 503-233-8088 INFO@HUDNUT.COM WWW.HUDNUT.COM